

Flow of Parameter Setting by RTEX

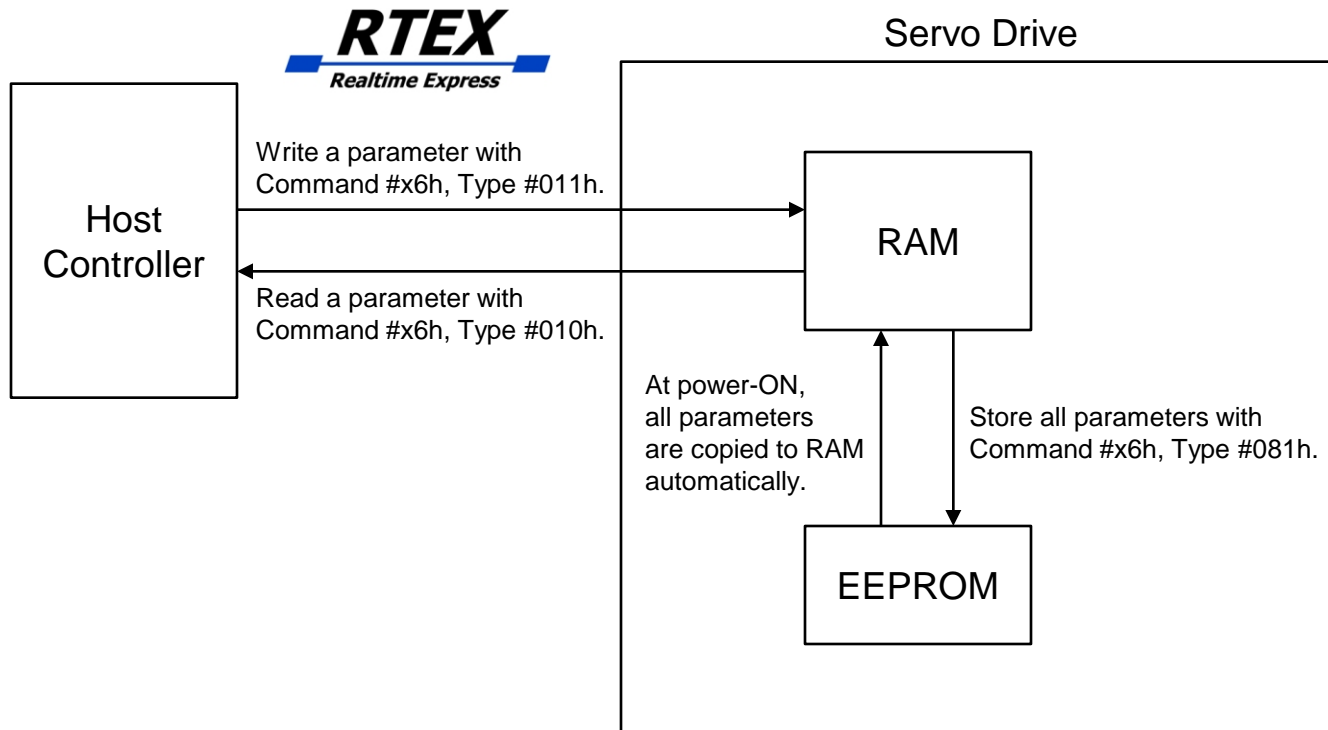
2014/3/10

Motor Business Division
Appliances Company
Panasonic Corporation

Parameter Memory Structure

The parameters exist in RAM.

To keep the data during power-OFF, it is necessary to store all parameters into EEPROM after changing them.

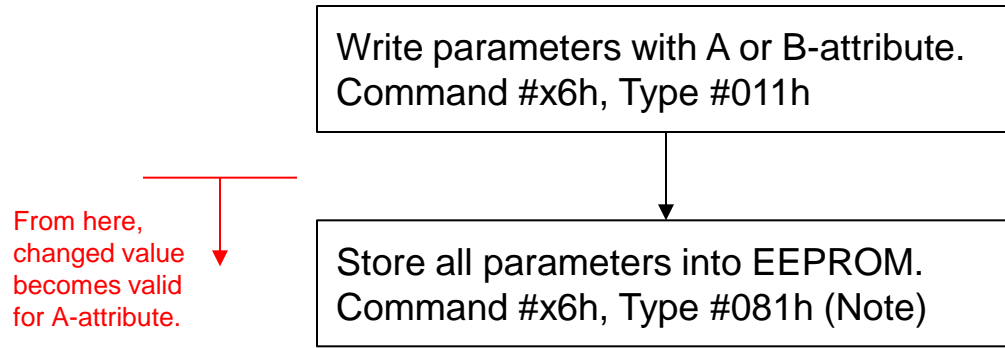


Attribute of Parameter

The attribute indicates timing when new value becomes valid after changing parameter.

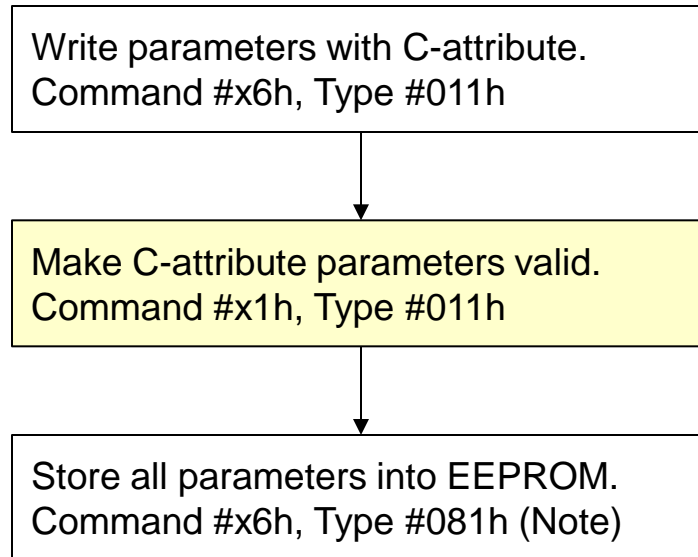
Attribute	Description
A	Immediately.
B	In a stop, immediately. In motion, not decided.
C	After Command #x1h Type #011h for validation. Also, the same way as R-attribute can be used.
R	Indicates “after Reset”. After EEPROM writing, a power-OFF and ON cycle or a Command #x1h Type #001h is needed.
RO	Indicates “Read Only”. This parameter cannot be changed.

A or B-attribute



Note: To prevent lost value when power-off, EEPROM writing is needed.

C-attribute

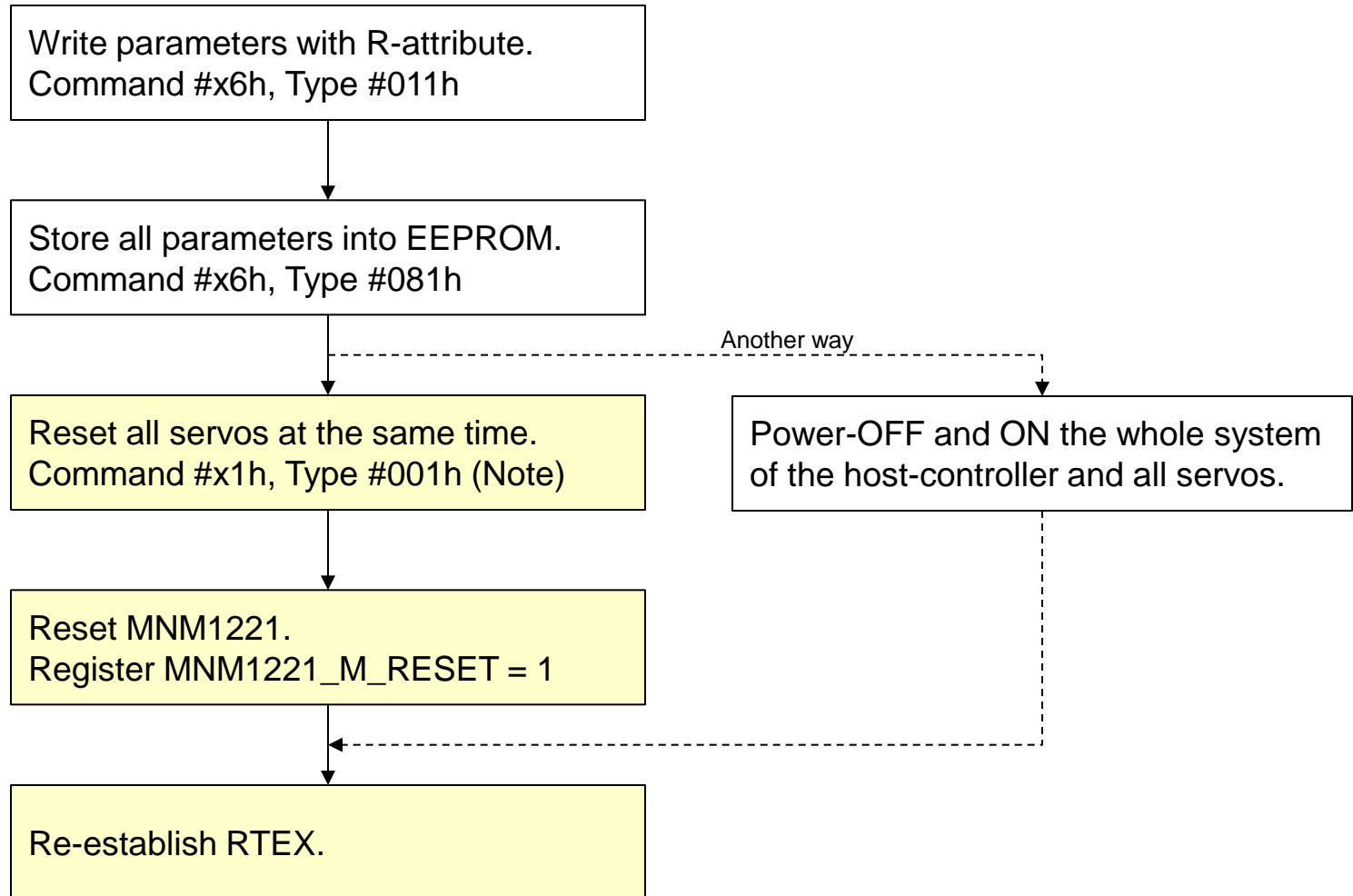


Also, the same process as R-attribute can be used instead.

From here,
changed value
becomes valid.

Note: To prevent lost value when power-off, EEPROM writing is needed.

R-attribute



Notes:

- The command sequence is the different from normal non-cyclic command. For more details, see the technical reference for RTEX communication.
- If this servo reset is omitted, it causes servos timeout Err84.0 as well as invalidation of changed value.