

Compact Actuator AF series

AF017N/042N/080N/125N/380N/500N/050C/120C/200C/320C



Solid type
AF-N



Hollow shaft type
AF-C

Features

1 High precision, stiffness, quality

Integrating Panasonic servo motors with large industrial robot market share Precision Reduction Gear RV

2 Compact

Compact drive unit is made possible by machining gear directly onto motor shaft

3 High versatility

Compatible with the MINAS-A6 family of standard servo drivers

Merit 1
Compact design

Before
The total length is extended due to the input gear and coupling.

After
The machining of gears onto the motor shaft results in a very compact design; **up to 23% shorter than conventional models.**

With the AF series...

Merit 2
Greater reliability

Before
Machining is very difficult, resulting in axial runout, poor concentricity accuracy, and producing abnormal noise.

After
Shipped after machining and assembly, **no need to worry about abnormal noise.**

With the AF series...

Merit 3
Greater quality

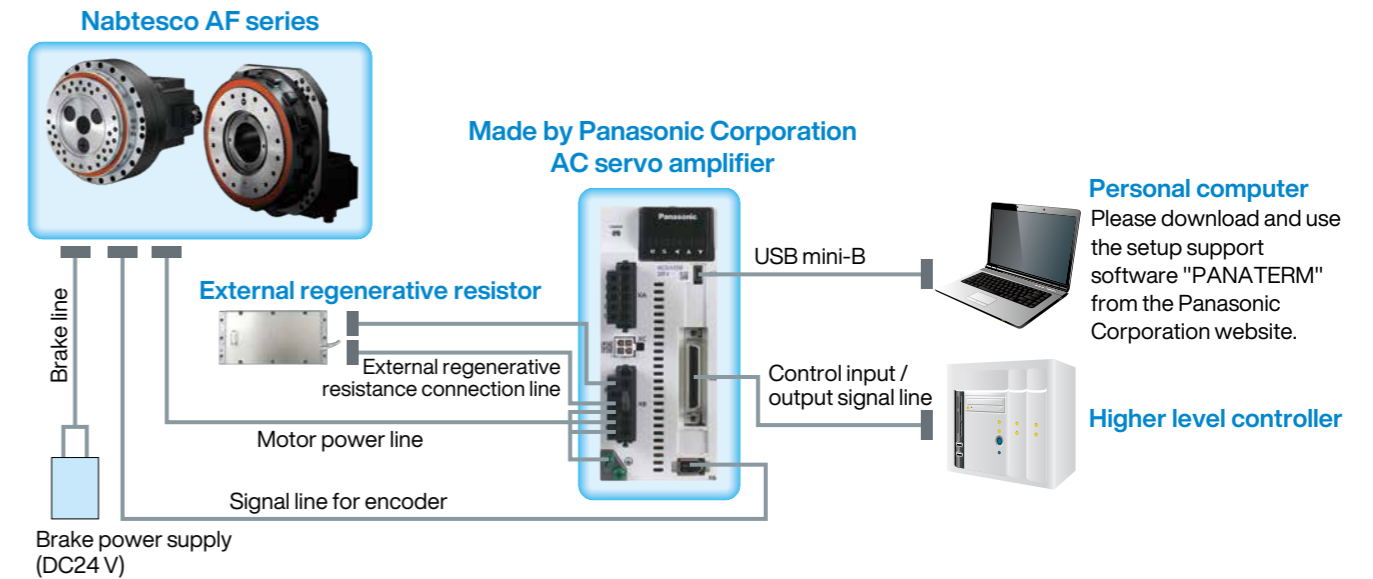
Before
O-ring or liquid sealant
Oil seal
O-ring
Greasing can be troublesome, If seals are forgotten, grease can leak

After
Already contains grease; **no need to worry about leaking.**

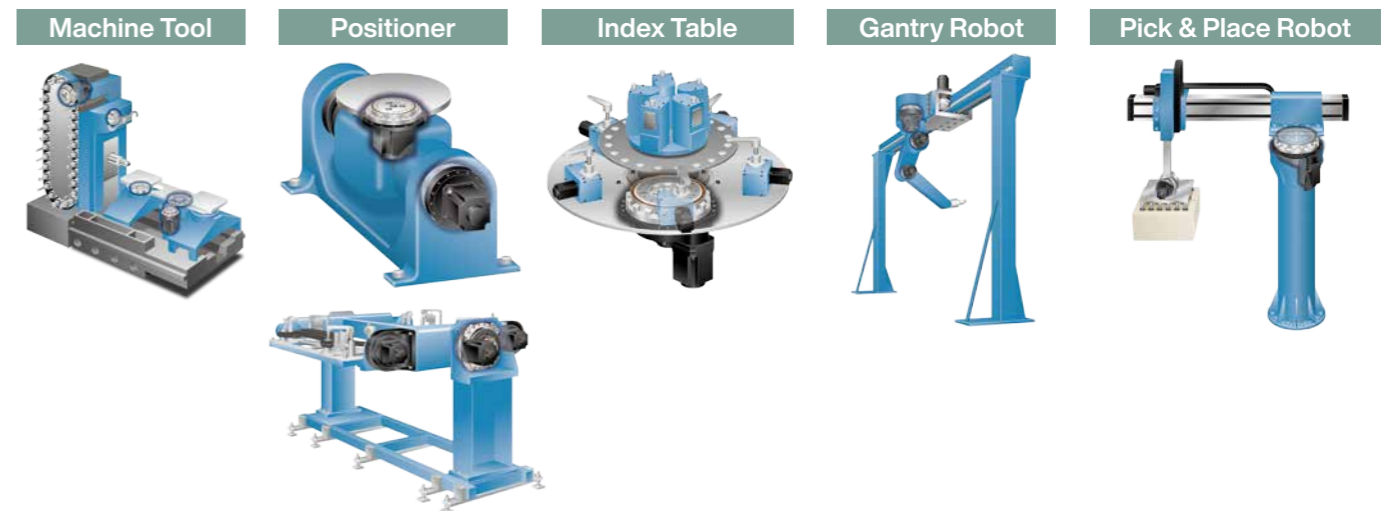
With the AF series...

System Configuration

System configuration example



Application Sample



Sales area

- Japan
- All over the world

Language

- Japanese
- English
- Chinese
- Korean

For more information

Solid type URL : <https://precision.nabtesco.com/en/products/detail/AF-N>

Hollow shaft type URL : <https://precision.nabtesco.com/en/products/detail/AF-C>

Contact: Nabtesco Corporation

Europe and Africa: TEL: +49-211-173790

China: TEL: +86-21-3363-2200

Asia and others: TEL: +81-6-6341-7180

North and South America: TEL: +1-248-553-3020

India: TEL: +91-80-4123-4901