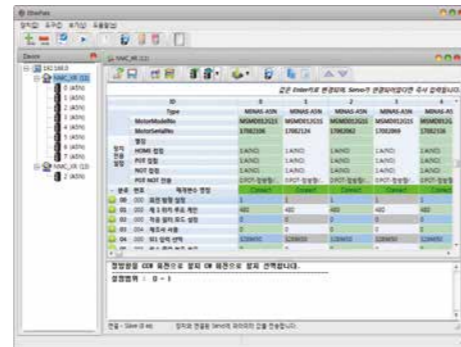


ETHERNET to RTEX Motion Controller

NMC-XR Series



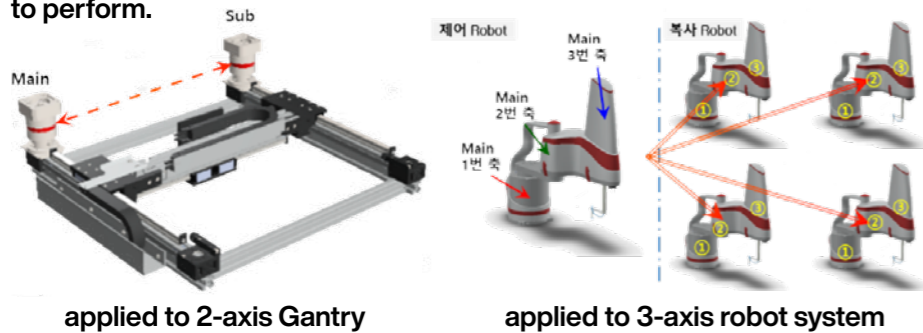
NMC-XR



"EtherPara" software

Features

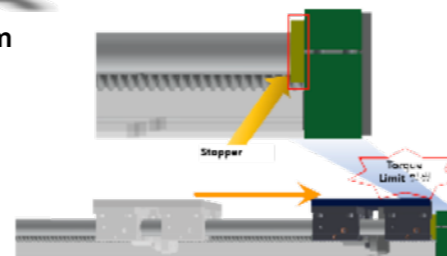
- 32 axes control is possible with one NMC-XR motion controller.
- It is possible to connect up to 255 NMC-XRs with one low-specification PC.
- Provide SDK in various languages
 - Dynamic Linking Library (x32, x64), C, C++, Visual C
 - Labview DLL
- Provide various motion function
 - Multi axis, circular arc, helical, continuous interpolation, list motion, torque value monitoring, etc.
- All 32 SERVO parameters connected to the NMC-XR
Editing is possible at once, You can check motor status information in real time
- Provide a protocol for ModBus.
- Provide Mirror function
 - Mirror function copies the motion motion of the main axis like a mirror, It is a special function developed to perform.



applied to 2-axis Gantry

applied to 3-axis robot system

- Real-time Torque Monitoring and Torque Limit
 - You can set the limit range of the instrument as well as perform the origin with the stopper of the instrument.



Product Line-up



NMC-XR040
32 axes
(CP 4 axis + PP 28 axis)
digital 8 input + 8 output



NMC-XR080
32 axes
(CP 8 axis + PP 24 axis)
digital 8 input + 8 output



NMC-XR120
32 axes
(CP 12 axis + PP 20 axis)
digital 8 input + 8 output



NMC-XR160
32 axes
(CP 16 axis + PP 16 axis)
digital 8 input + 8 output



NMC-XRDI32
digital 32 input



NMC-XRDO32
digital 32 output

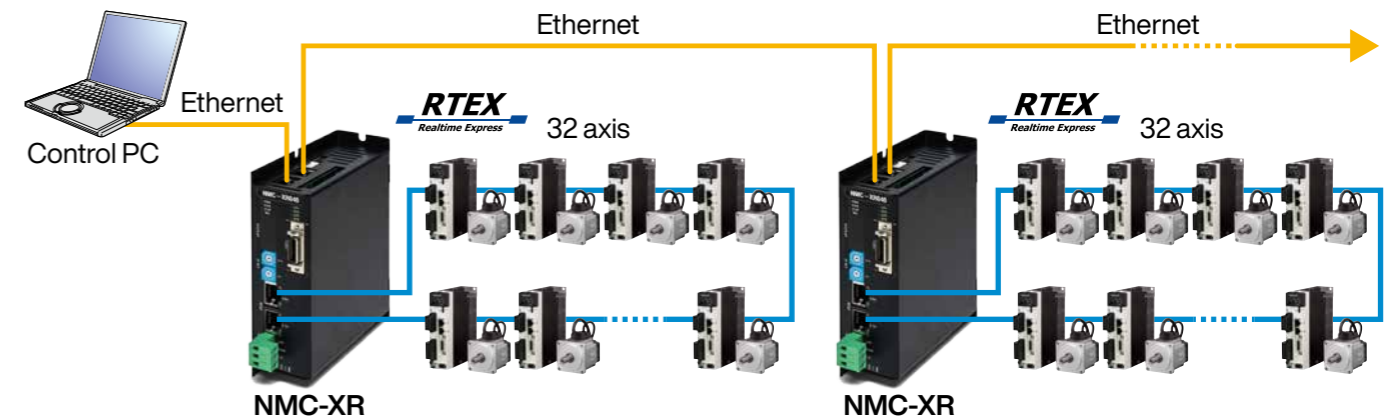
Products that can be used
with the NMC-XR
ETHERNET to PULSE



NMC2E

NMC2E-220 : 2 axis
NMC2E-420 : 4 axis
NMC2E-620 : 6 axis
NMC2E-820 : 8 axis

System Configuration



Sales area

- Korea

Language

- Korean

For more information

URL : <http://www.paix.co.kr>



● Contact: PAIX CO., LTD.

123, Digital-ro 26-gil, Guro-gu, Seoul, Republic of Korea
G PLUS KOLON DIGITAL TOWER #505

TEL : +02-833-6663 FAX : +02-833-6667