



# Network Stepper Drive

## EM3RT Series



### Features

- Support RTEX network protocol
- Perfectly combine with RTEX servo
- Matched motor from NEMA 8 to NEMA 34
- Excellent performance & High reliability
- Easy development & Low cost
- 7 input signals, include 2 differential connections (200 KHz, 3.3 V - 5 V input voltage) and 5 single - ended connections (20 KHz, 12 V or 24 V input voltage)
- 2 output signals, optically isolated, maximum 24 mA/100 mA
- 1 brake output signal, maximum 24 mA/100 mA

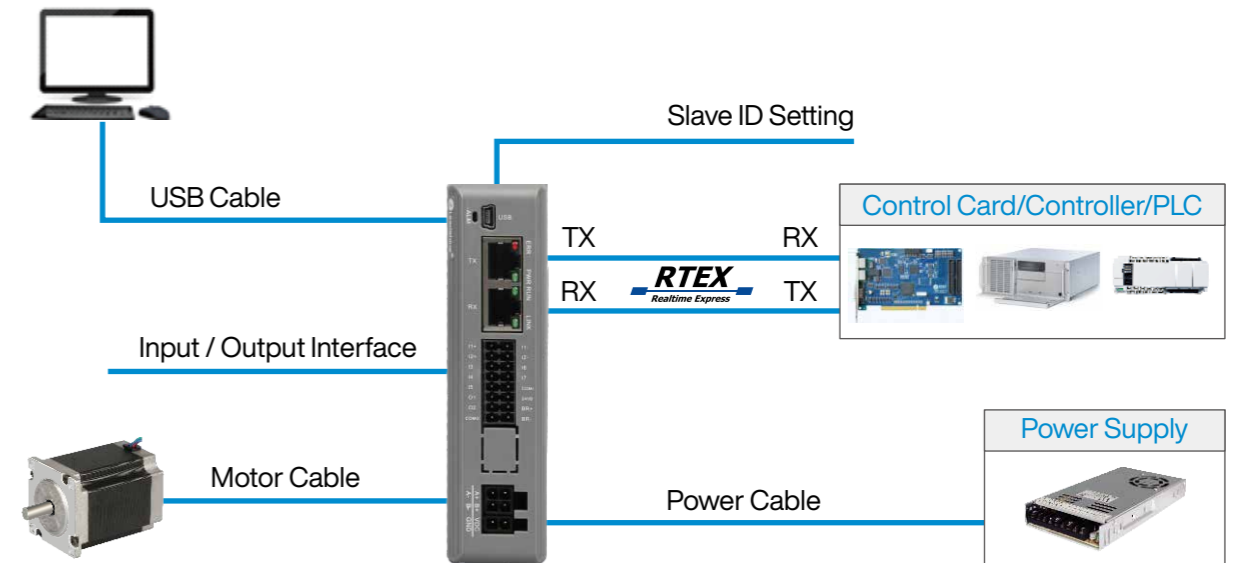
### Overview

EM3RT series drives are based on Panasonic RTEX network which supports CP operating mode (built in HM mode) and connect up to 32 axes. The products can be combined with RTEX servo drives perfectly and matched with various stepper motors from NEMA 8 to NEMA 34. The EM3RT series has excellent performance including enhanced reliability, super-low stepper noise, anti-resonance and low-speed ripple smoothing and remains low cost.

### Application Sample

- Automatic production line
- Automation equipment

### System Configuration



### Sales area

- China
- Worldwide response

### Language

- English
- Chinese

### For more information

URL : <http://www.leadshine.com>



● Contact: Leadshine Technology Co., Ltd.

11/F, Block A3, iPark, 1001 Xueyuan Blvd, Nanshan District, Shenzhen, China

TEL: +86-755-26417674