

RTEX Network Motion Control board

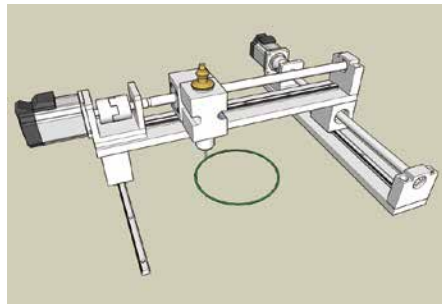
MCN-8032P



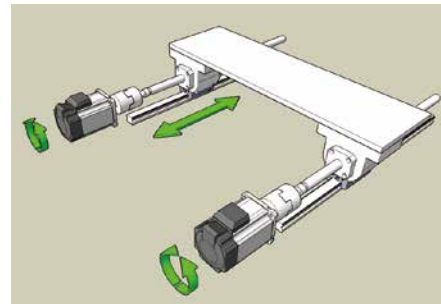
Features

- RTEX (Real Time Express) servo network
- Network Speed 100 Mbps, communication period 1 ms
- Easy to wire, saving wiring working-hour
- Up to 32 nodes
- Excellent error correction
- Multi-axis linear / circular interpolation
- Multi-axis synchronous motion (for gantry)
- Up to 16 boards in one PC

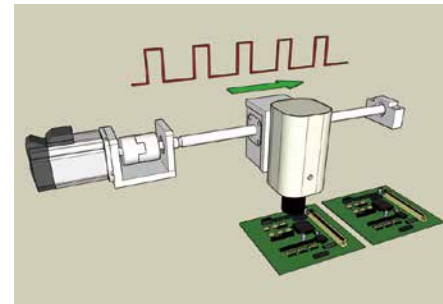
Application Sample



Linear and Circular Interpolations

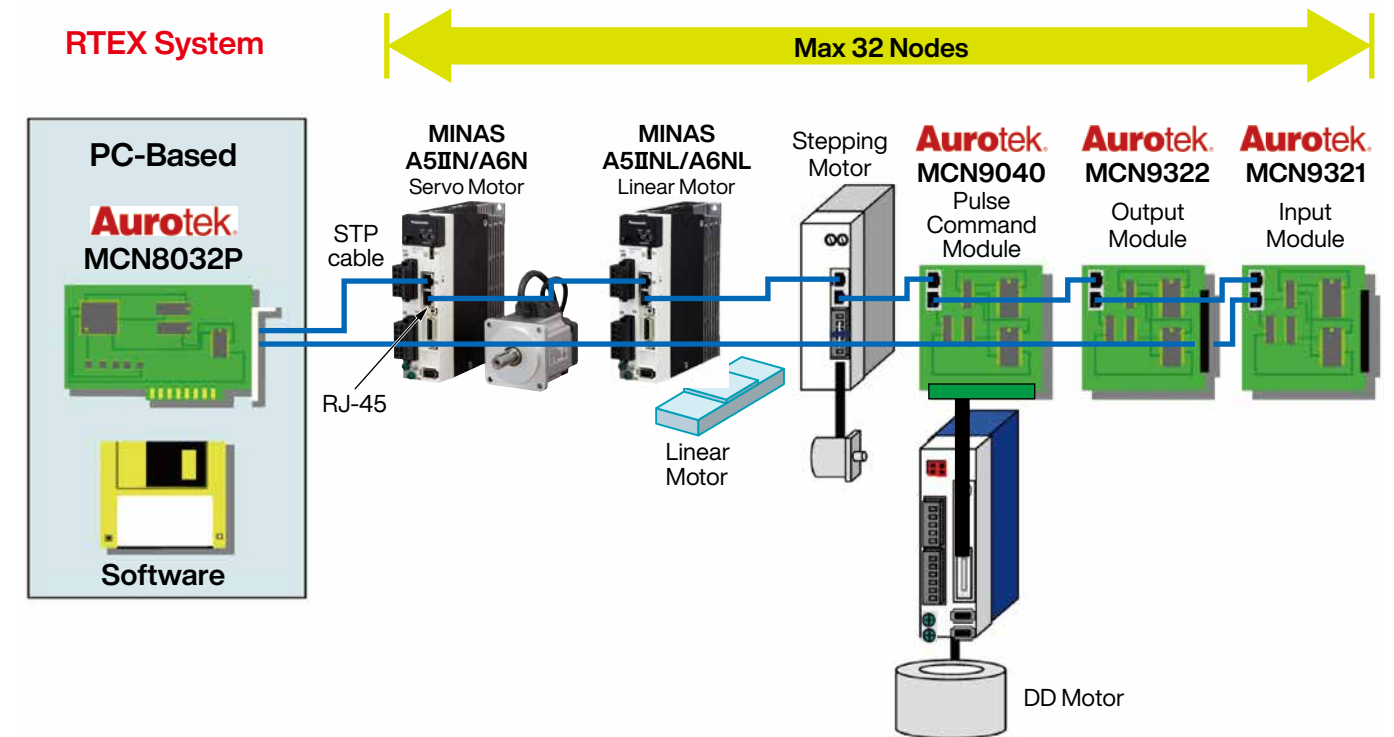


Gantry Motion



Position Comparing & Triggering Function

System Configuration



- MCN-9040 RTEX 4-axis pulse command module
- MCN-9321 RTEX 32 points input module with terminal block
- MCN-9322 RTEX 32 points output module with terminal block

Sales area

- Japan
- China
- Taiwan
- Thailand

Language

- English
- Chinese

For more information

URL : <http://www.robot.com.tw/EN/Default.aspx>



● Contact: Aurotek Corporation

1st. Floor No. 60, Jhou-Zih St. Nei-Hu District, Taipei 114, Taiwan

TEL: +886-2-6600-7574 FAX: +886-2-8752-3347